

For Low Pressure (Air)

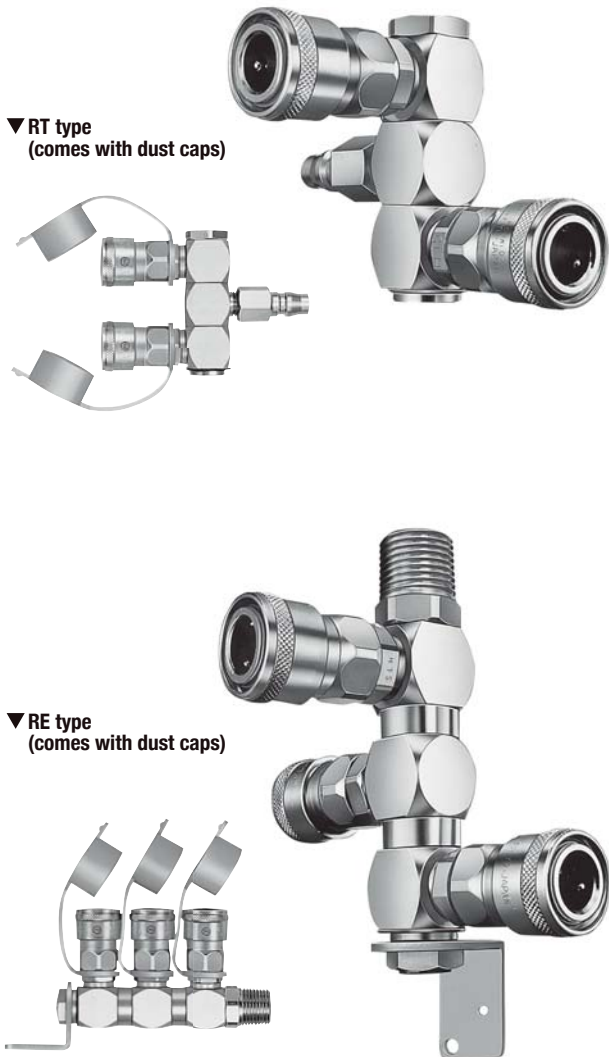
# ROTARY LINE CUPLA

Simple design air line couplings on free turn manifold

<p>Working pressure</p> <p>1.5 MPa (15 kgf/cm<sup>2</sup>)</p>	<p>Valve structure</p> <p>One-way shut-off</p>	<p>Applicable fluid</p> <p>Air</p>
--	--	------------------------------------

Each air outlet can be turned freely to any angle independently.

- Multiple outlets are available from single air supply source.
- Sideway air outlets are rotatable to any angle. Possible hose twists can be eliminated by the component couplings' swivel mechanism.
- Choose either RT type (2 outlets) or RE type (3 outlets) to suit your application.

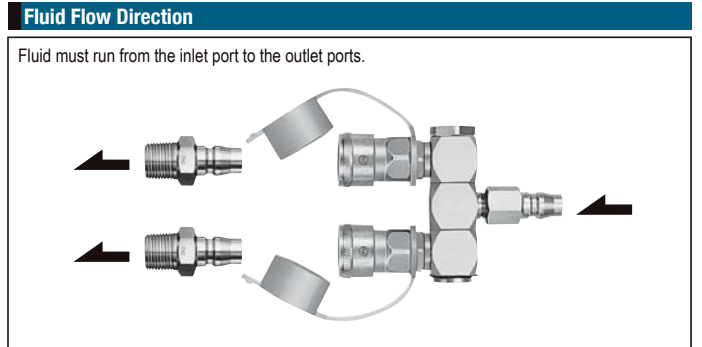


Specifications				
Body material	Body : Brass (Chrome plated), CUPLA : Steel (Chrome plated)			
Model	RT Type (for two branch lines)		RE Type (for three branch lines)	
Size	Inlet	HI CUPLA Plug 20PF	Inlet	R 1/2
	Outlet	2 sockets for HI CUPLA Socket Model 20		Outlet
Pressure unit	MPa	kgf/cm <sup>2</sup>	bar	PSI
Working pressure	1.5	15	15	218
Seal material	Seal material	Mark	Working temperature range	Remarks
Working temperature range *1	Nitrile rubber	NBR	-20 °C to +60 °C	Standard material

\* The products come with dustproof caps.

\*1: The operable temperature range depends on the operating conditions.

Maximum Tightening Torque (RE Type)		Nm {kgf·cm}
Size (Thread)	1/2"	
Torque	30 {306}	



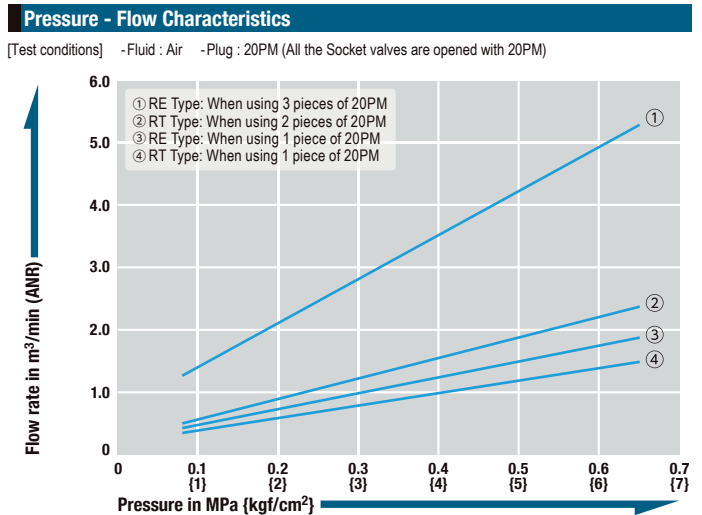
**Interchangeability**

Interchangeable with plugs of HI CUPLA models 10, 17, 20, 30 and 40. Interchangeable with each models of NUT CUPLA series and HI CUPLA series. Please see page 21 for "HI CUPLA Series Interchangeability".

Minimum Cross-Sectional Area (mm <sup>2</sup> )		
Model	RT type	RE type
Minimum cross-sectional area	33	

**Suitability for Vacuum**

Not suitable for vacuum application in either connected or disconnected condition.

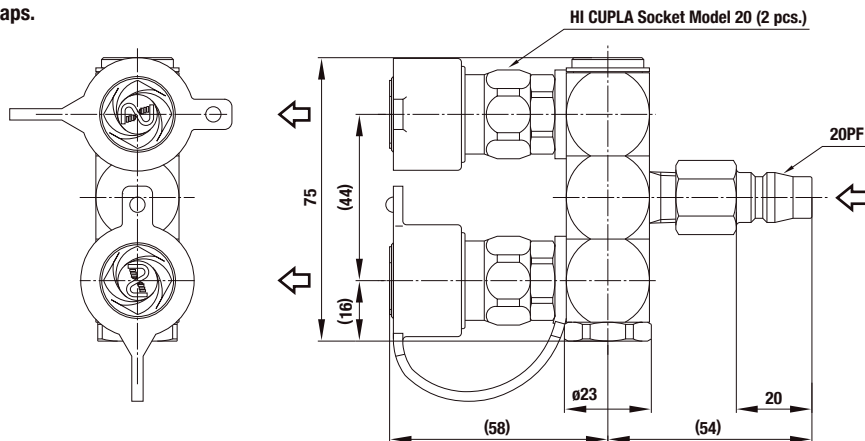


Models and Dimensions

**Socket RT type (For two outlets)**

Mass : 490 g

- Fluid must run in the direction of the arrow.
- The product comes with dust caps.

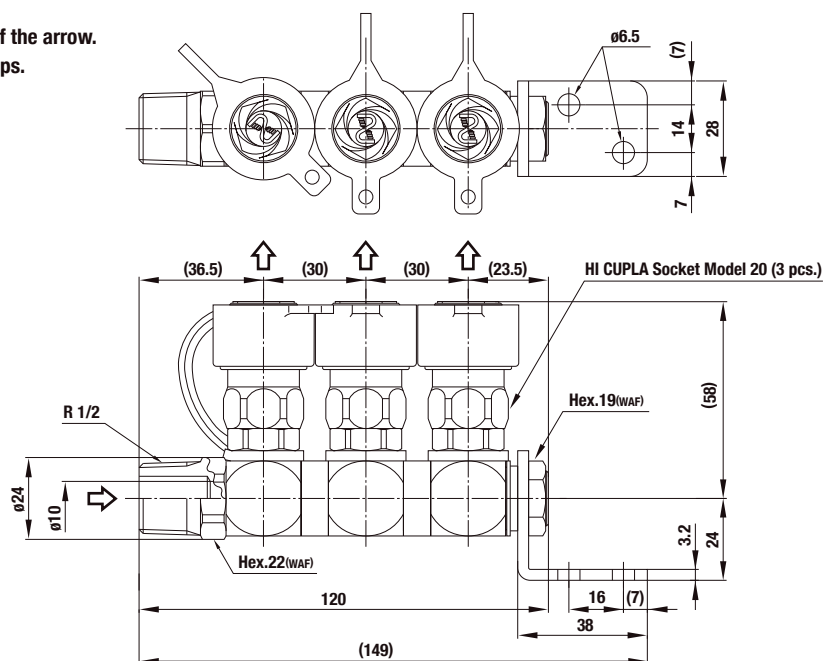


Dimensions (mm)

**Socket RE type (For three outlets)**

Mass : 660 g

- Fluid must run in the direction of the arrow.
- The product comes with dust caps.



Dimensions (mm)